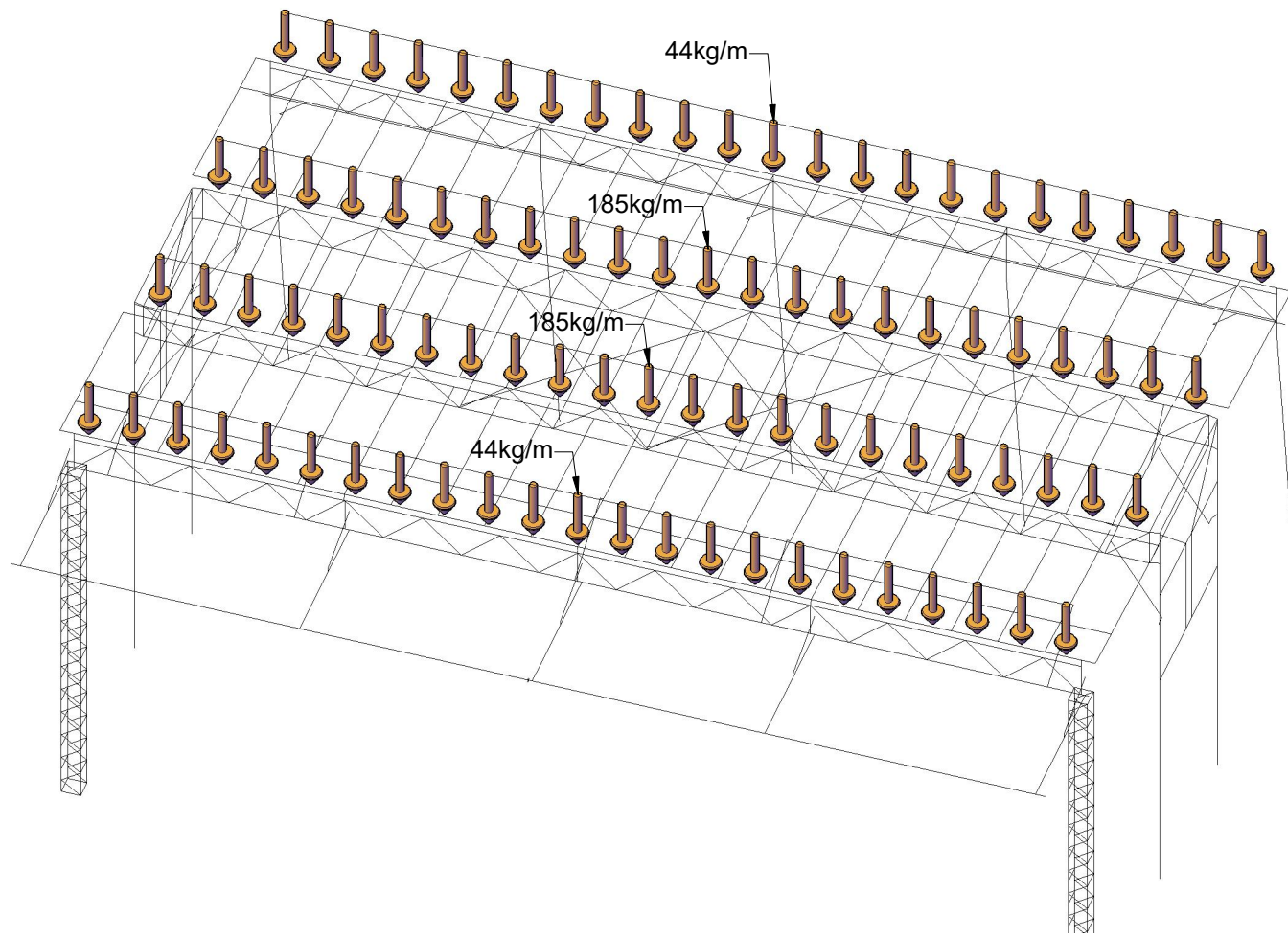
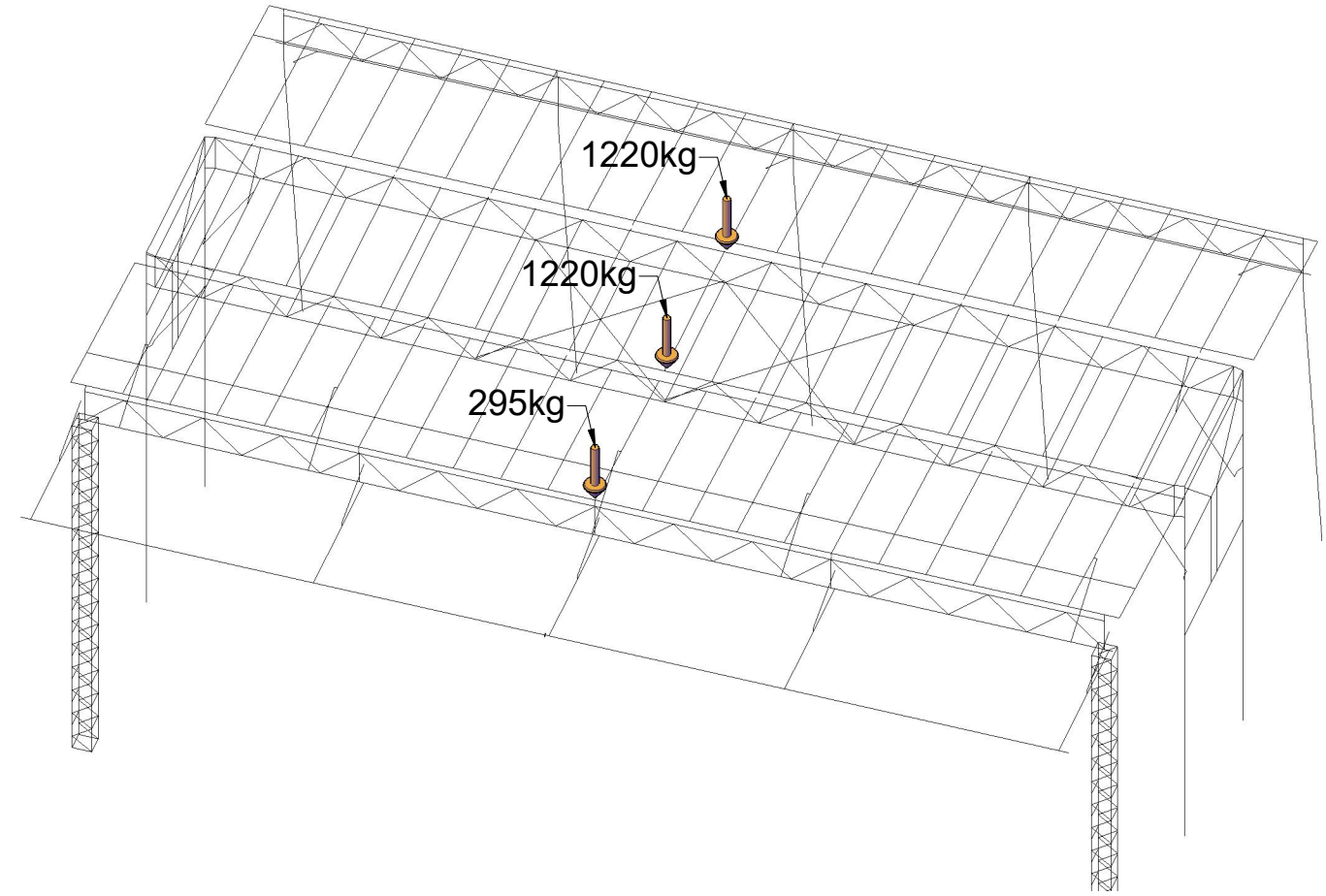


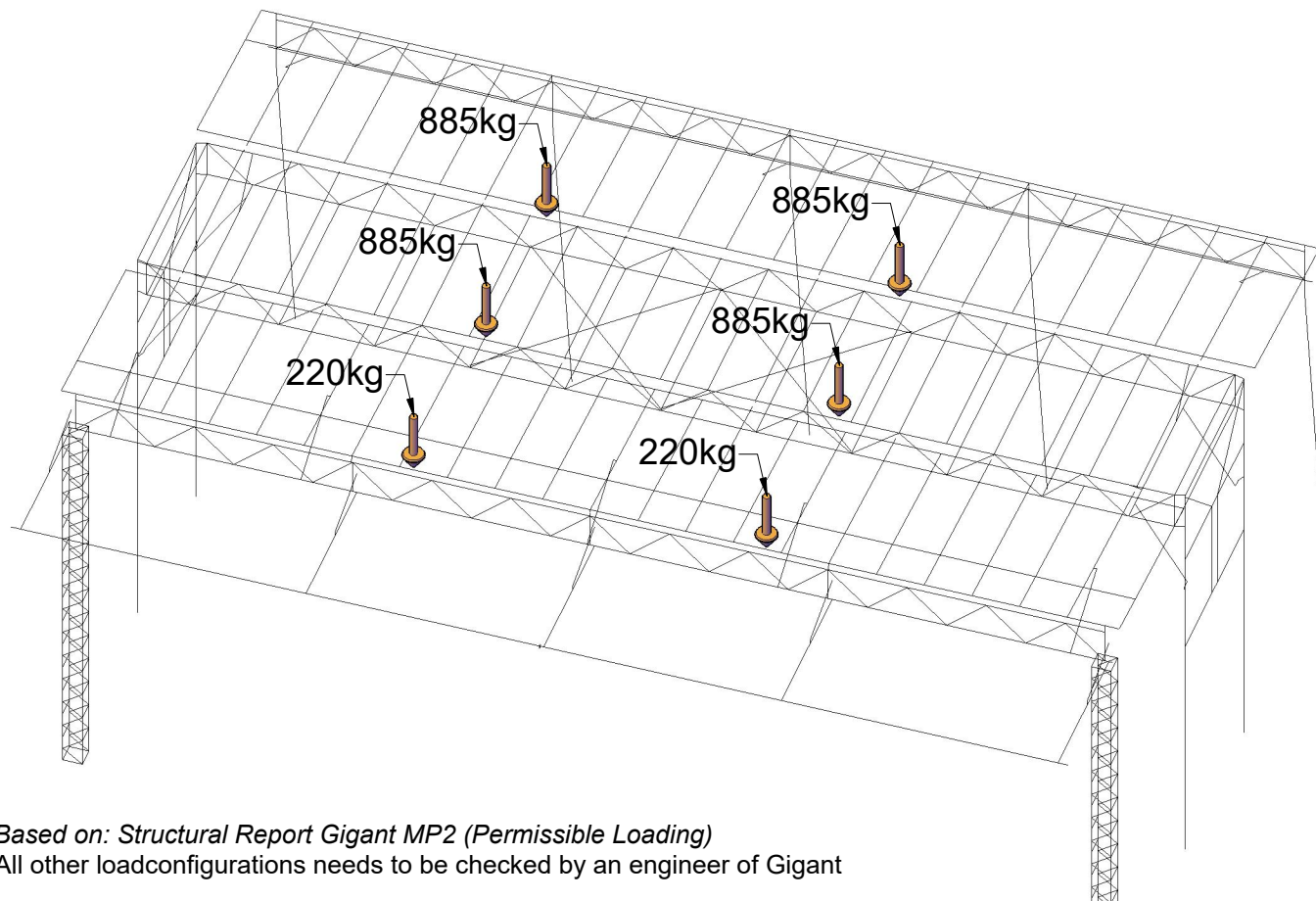
Maximum Uniform Divided Load (UDL):



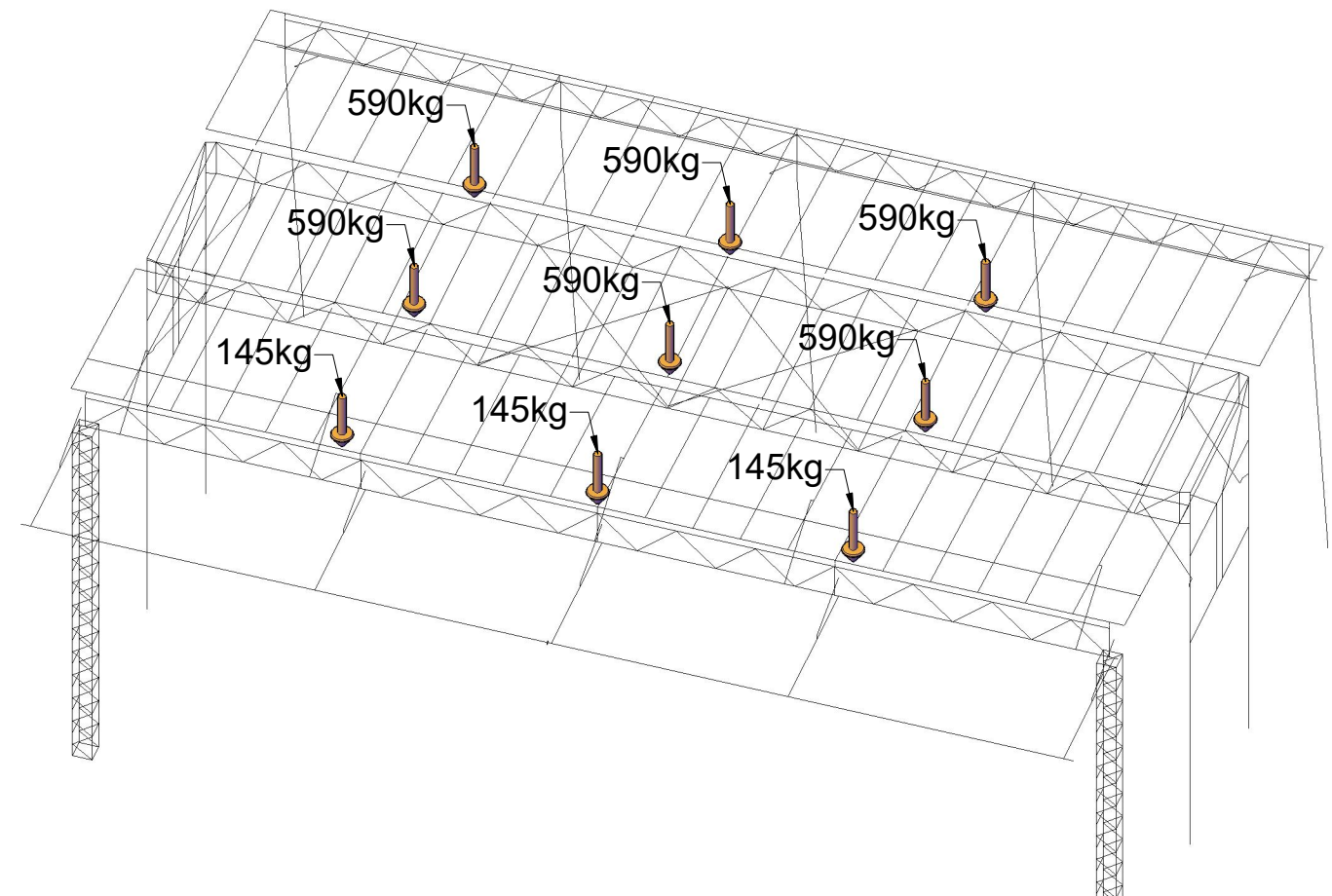
Or Maximum Centre Point Load (CPL):



Or maximum Third Points Load (TPL):



Or maximum Fourth Points Load (QPL):



Based on: Structural Report Gigant MP2 (Permissible Loading)
All other load configurations needs to be checked by an engineer of Gigant

Page name: A3 - Production Loads	Date: 29-jan-24
Drawn by: Gigant	Scale:
Number:	Units: mm
City / Venue: ---	Phone: +31 (0) 497 51 7771
E-mail: info@gigantinternational.com	

Mobiel Podium 2

