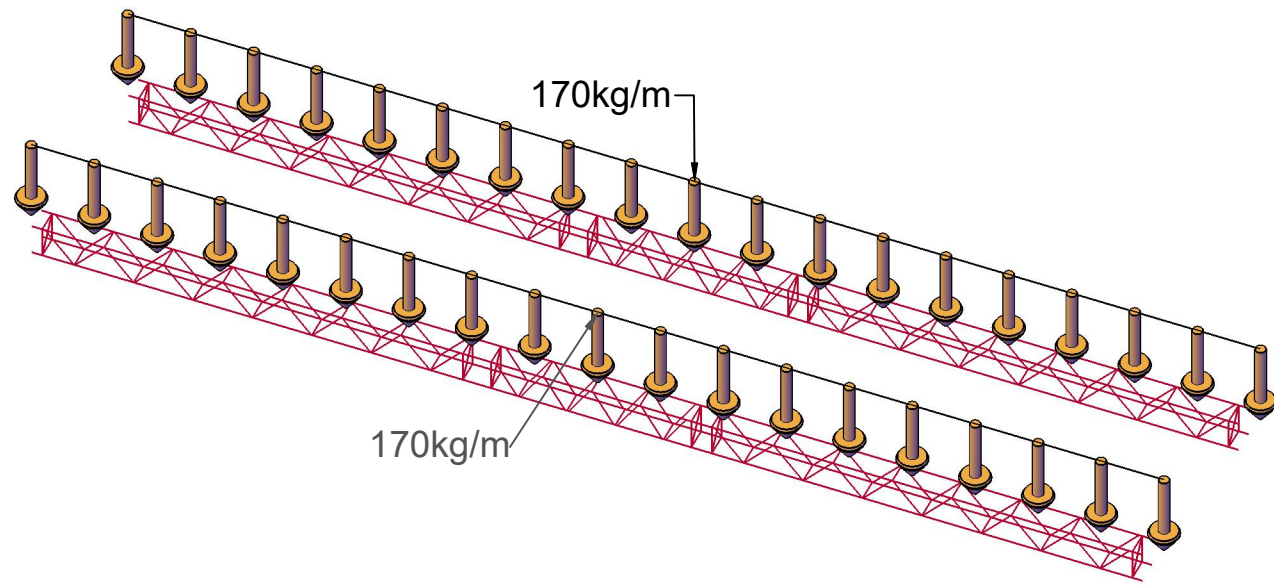
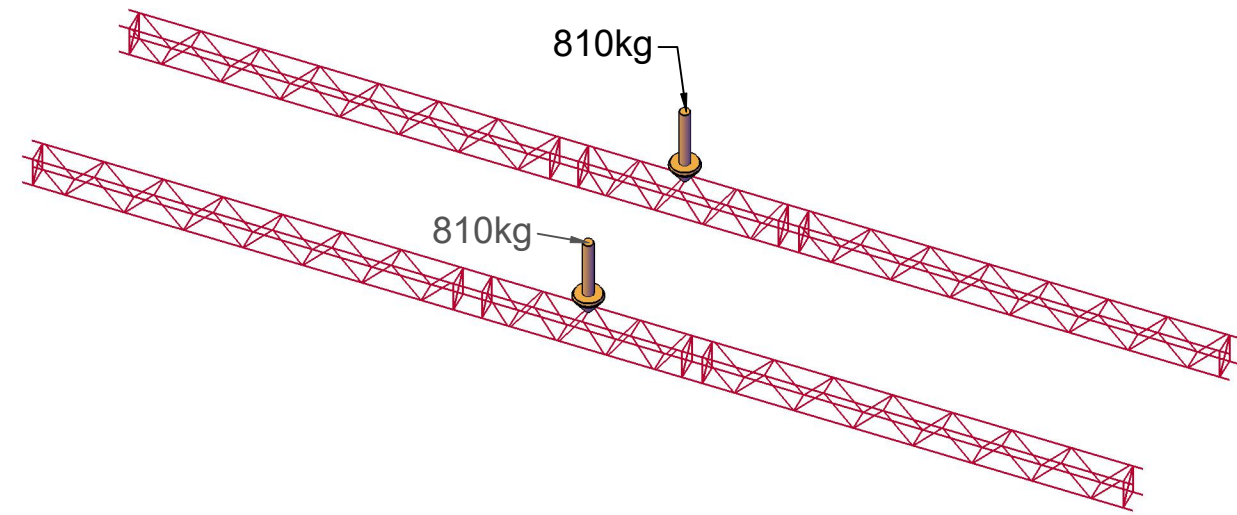


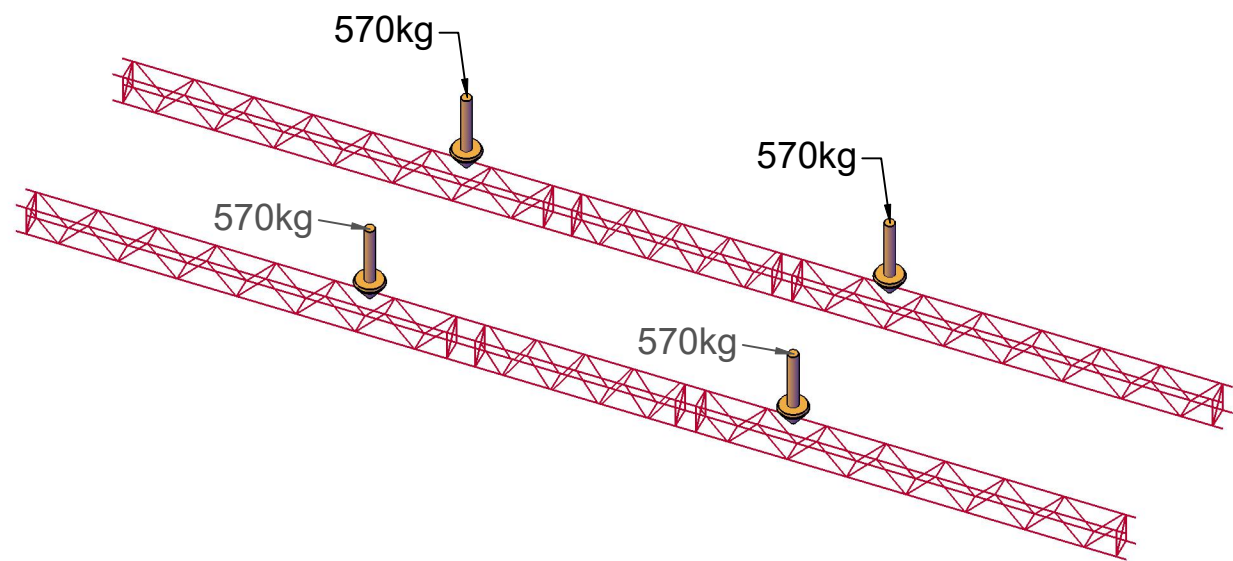
Maximum Uniform Divided Load (UDL):



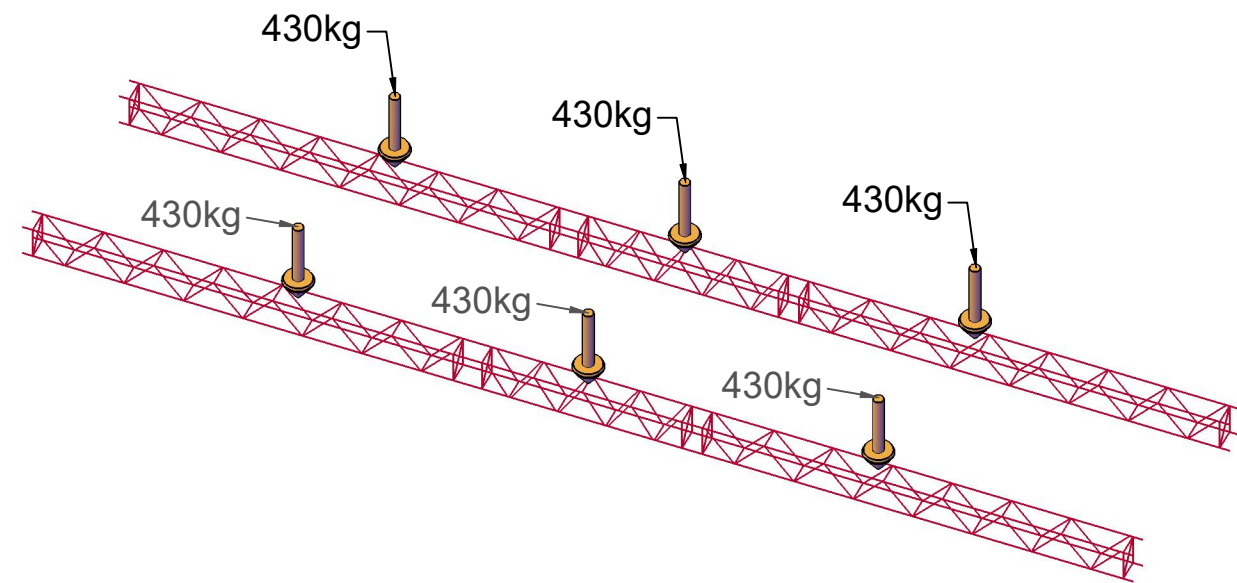
Or Maximum Centre Point Load (CPL):



Or maximum Third Points Load (TPL):



Or maximum Fourth Points Load (QPL):



Based on: Statische controle SR-Podia (Permissible truss loads)  
 All other loadconfigurations needs to be checked by an engineer of Gigant

Page name: A3 - Production Loads	Date: 29-apr-20	Scale: ---	Units: mm	
Drawn by: Gigant				
Number:				
City / Venue: ---				
E-mail: info@gigantinternational.com				Phone: +31 (0) 497 51 7771

SR60