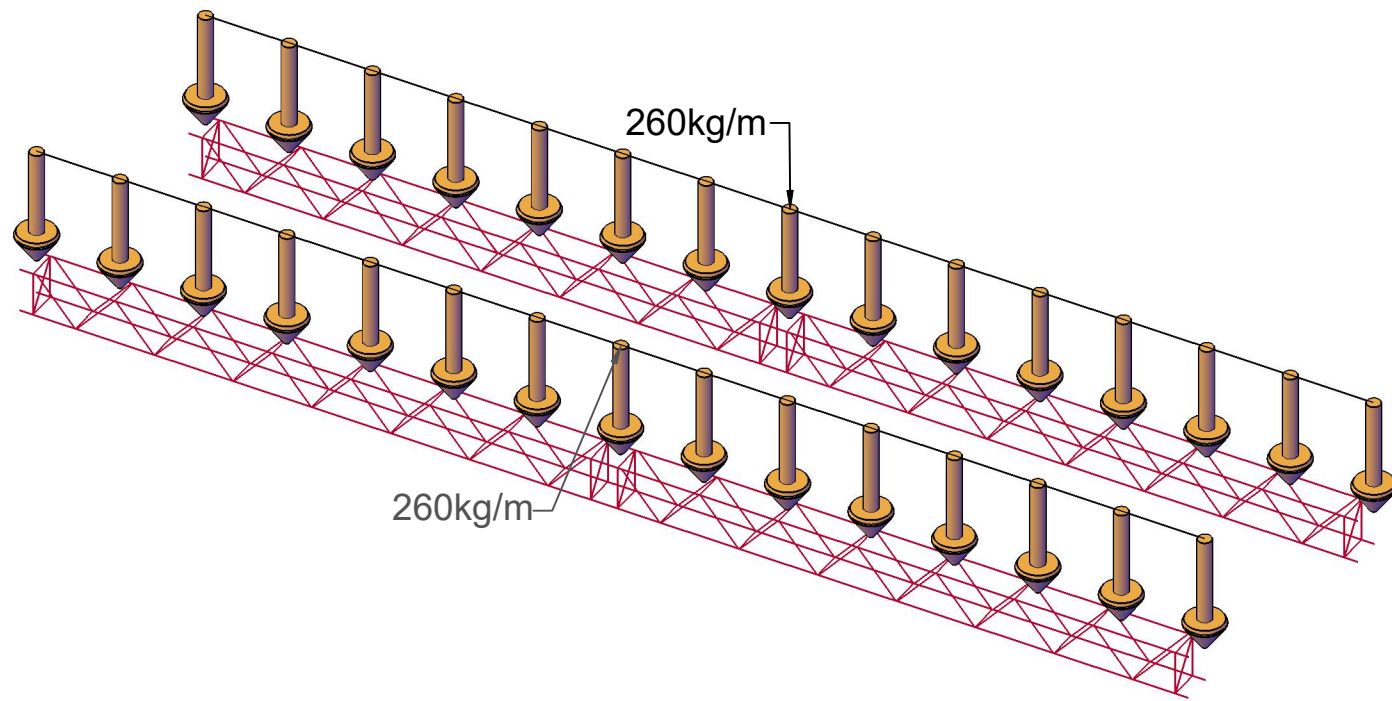
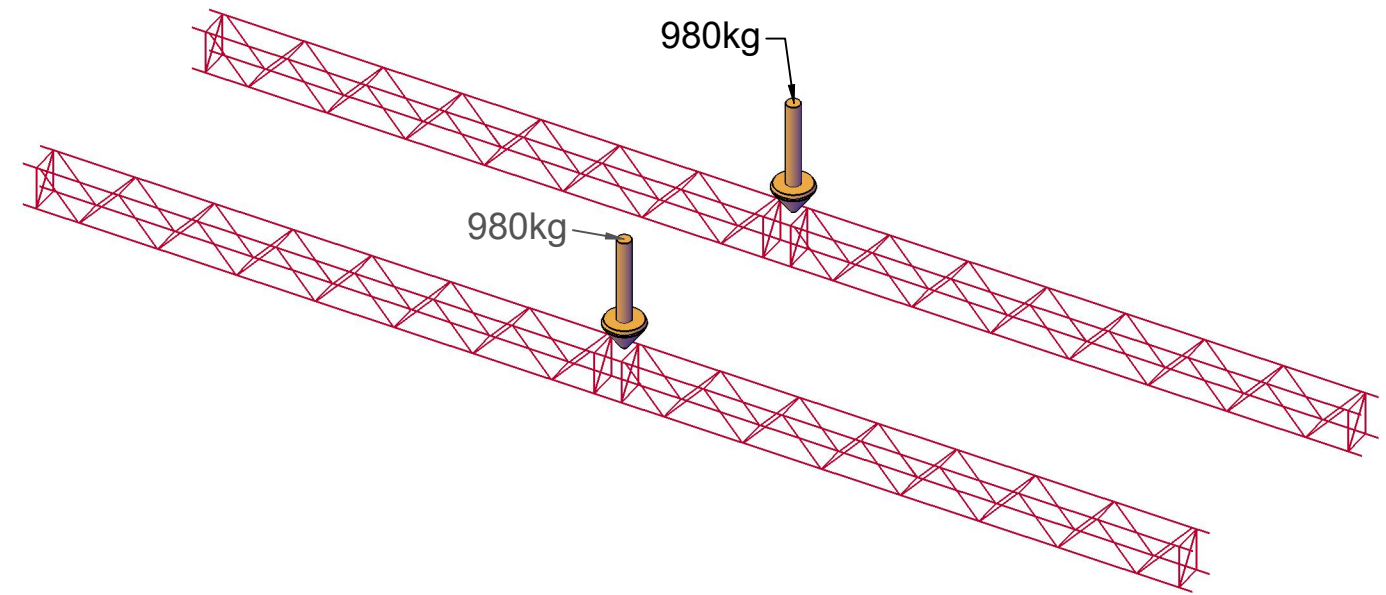


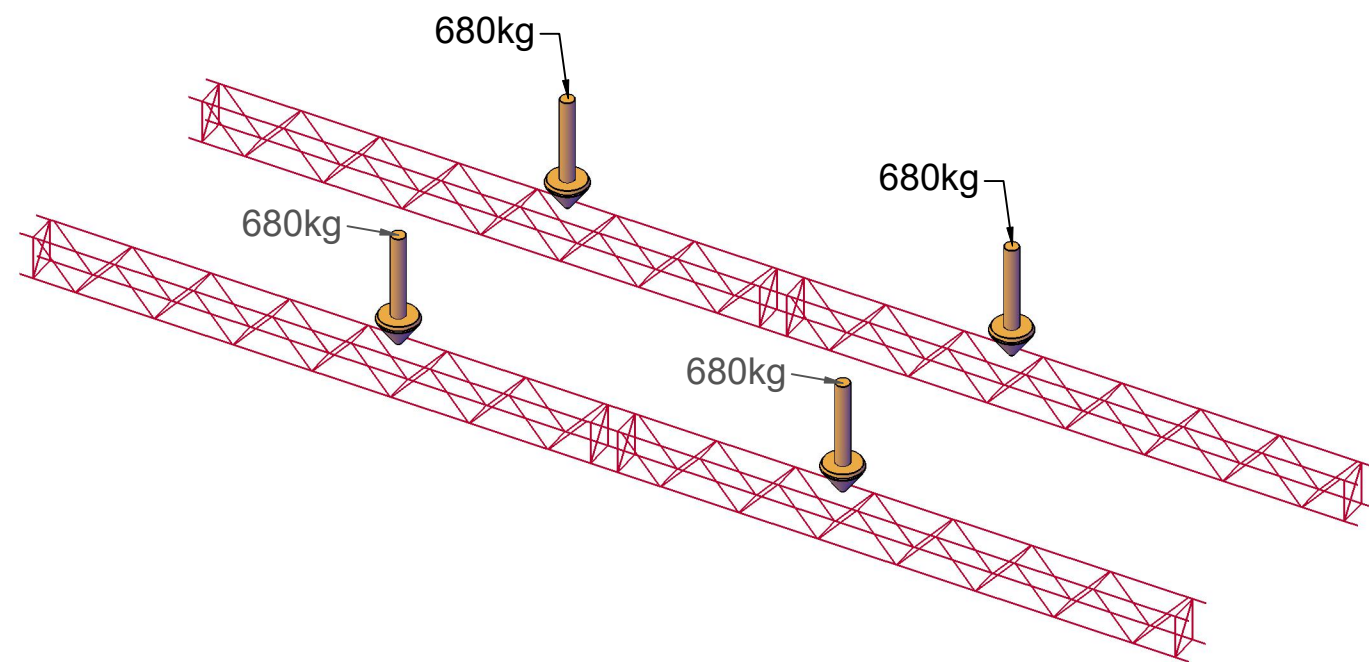
Maximum Uniform Divided Load (UDL):



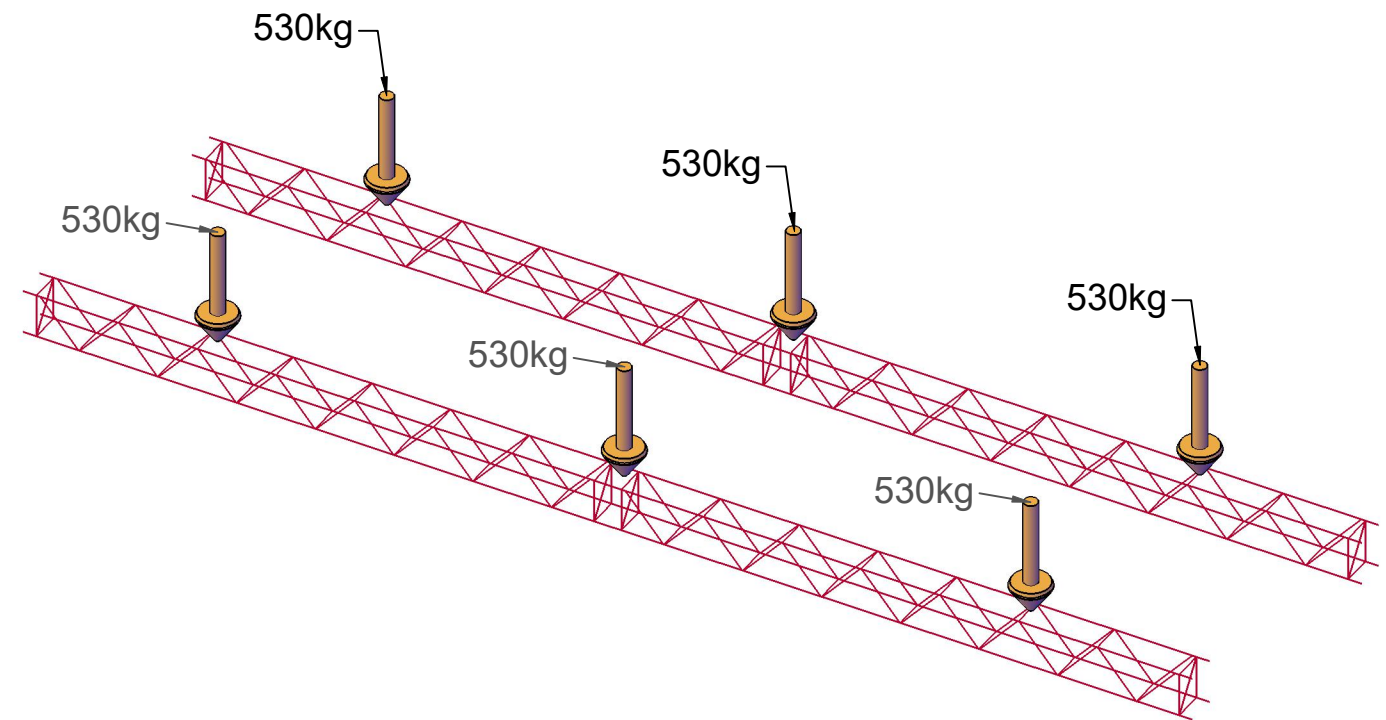
Or Maximum Centre Point Load (CPL):



Or maximum Third Points Load (TPL):



Or maximum Fourth Points Load (QPL):



Based on: Statische controle SR-Podia (Permissible truss loads)
All other loadconfigurations needs to be checked by an engineer of Gigant

Date: 29-apr-20	Scale: ---	Units: mm	Phone: +31 (0) 497 51 7771
Page name: A3 - Production Loads	Drawn by: Gigant	Number:	E-mail: info@gigantinternational.com
SR48			
GIGANT		WWW.GIGANTINTERNATIONAL.COM	