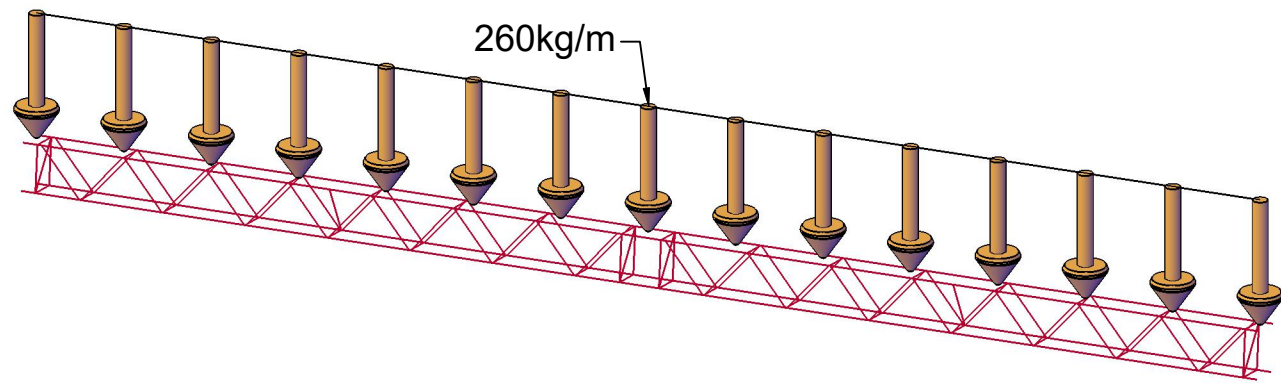
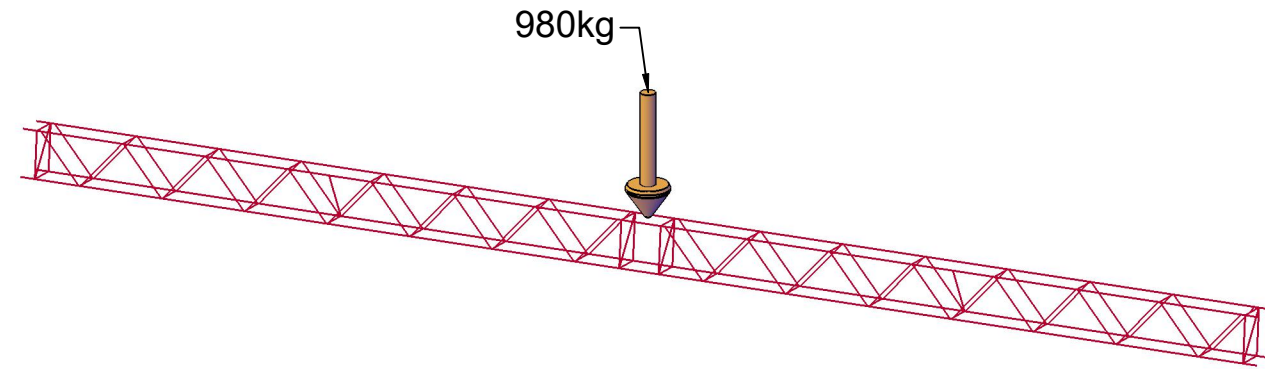


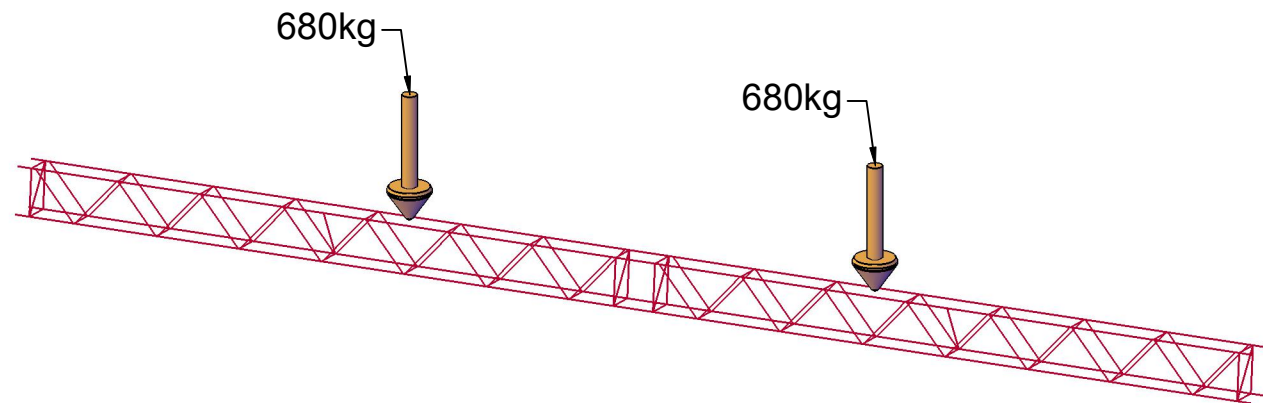
Maximum Uniform Divided Load (UDL):



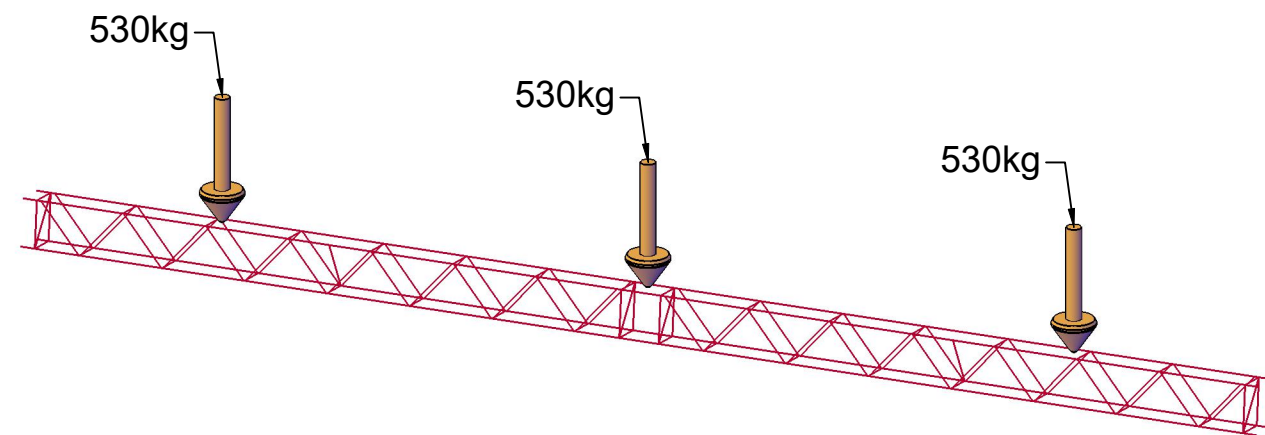
Or Maximum Centre Point Load (CPL):



Or maximum Third Points Load (TPL):



Or maximum Fourth Points Load (QPL):



Based on: Statische controle SR-Podia (Permissible truss loads)
 All other loadconfigurations needs to be checked by an engineer of Gigant

Page name: A3 - Production Loads	Date: 29-apr-20
Drawn by: Gigant	Scale: ---
Number: ---	Units: mm
City / Venue: ---	Phone: +31 (0) 497 51 7771
E-mail: info@gigantinternational.com	

SR32

